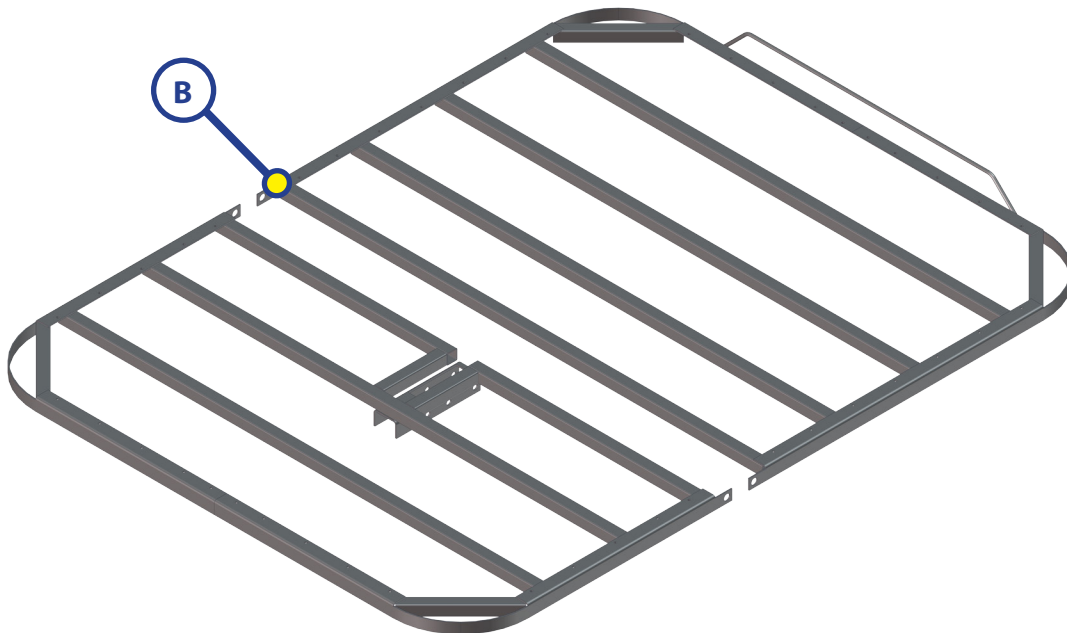
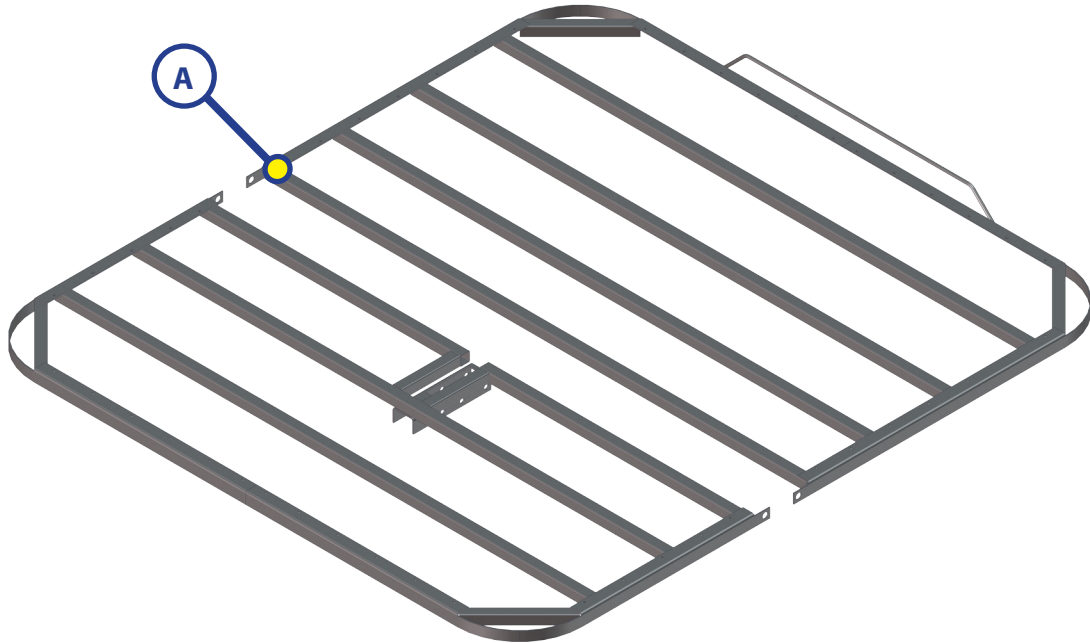




# SCHWINTEK BED TILT BED FRAME COMPONENTS

## POWER AND MOTION

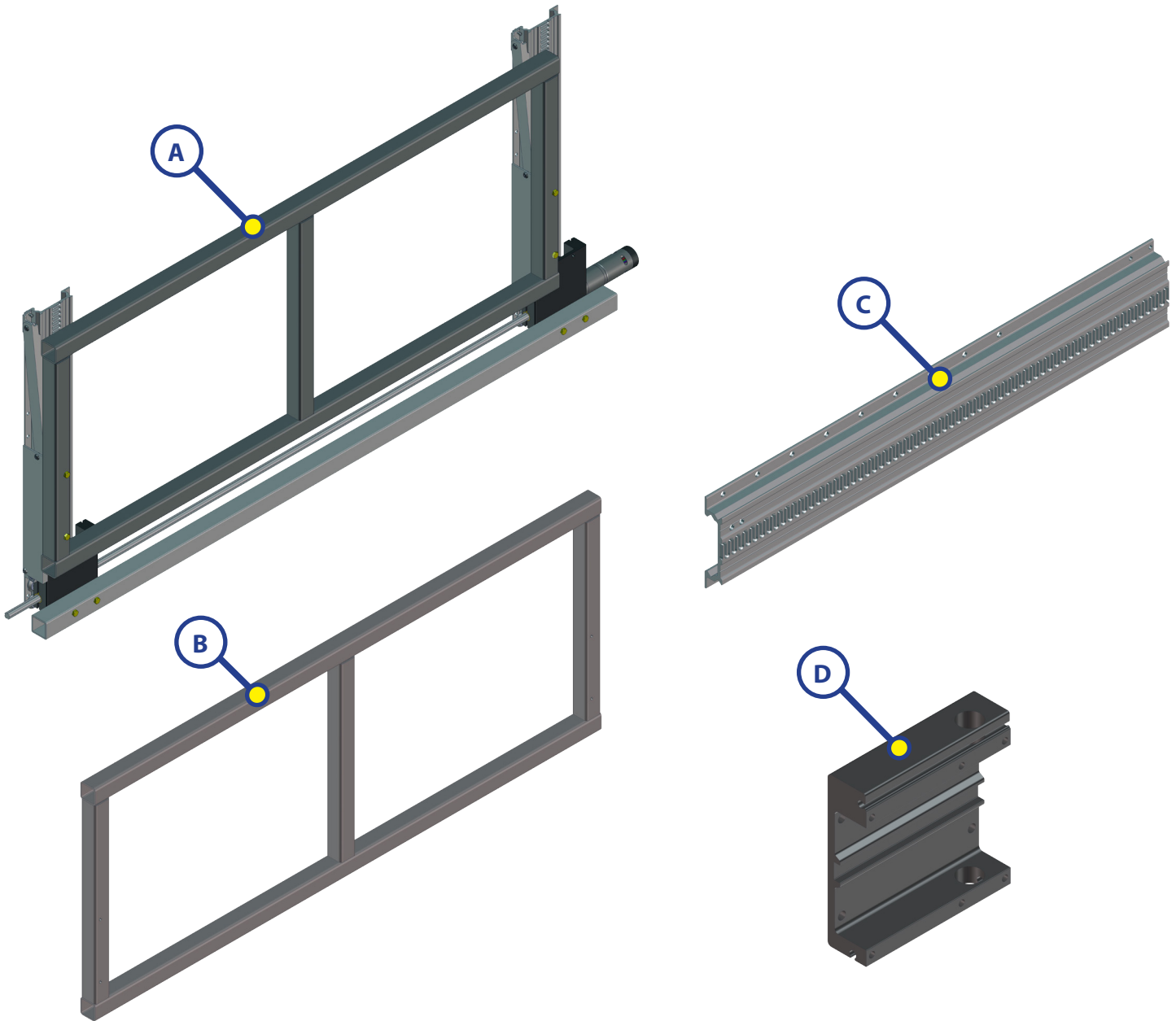


Callout	Part #	Description
A	116410	King Bed Frame Assembly
B	116409	Queen Bed Frame Assembly



# SCHWINTEK BED TILT HEAD COMPONENTS

## POWER AND MOTION



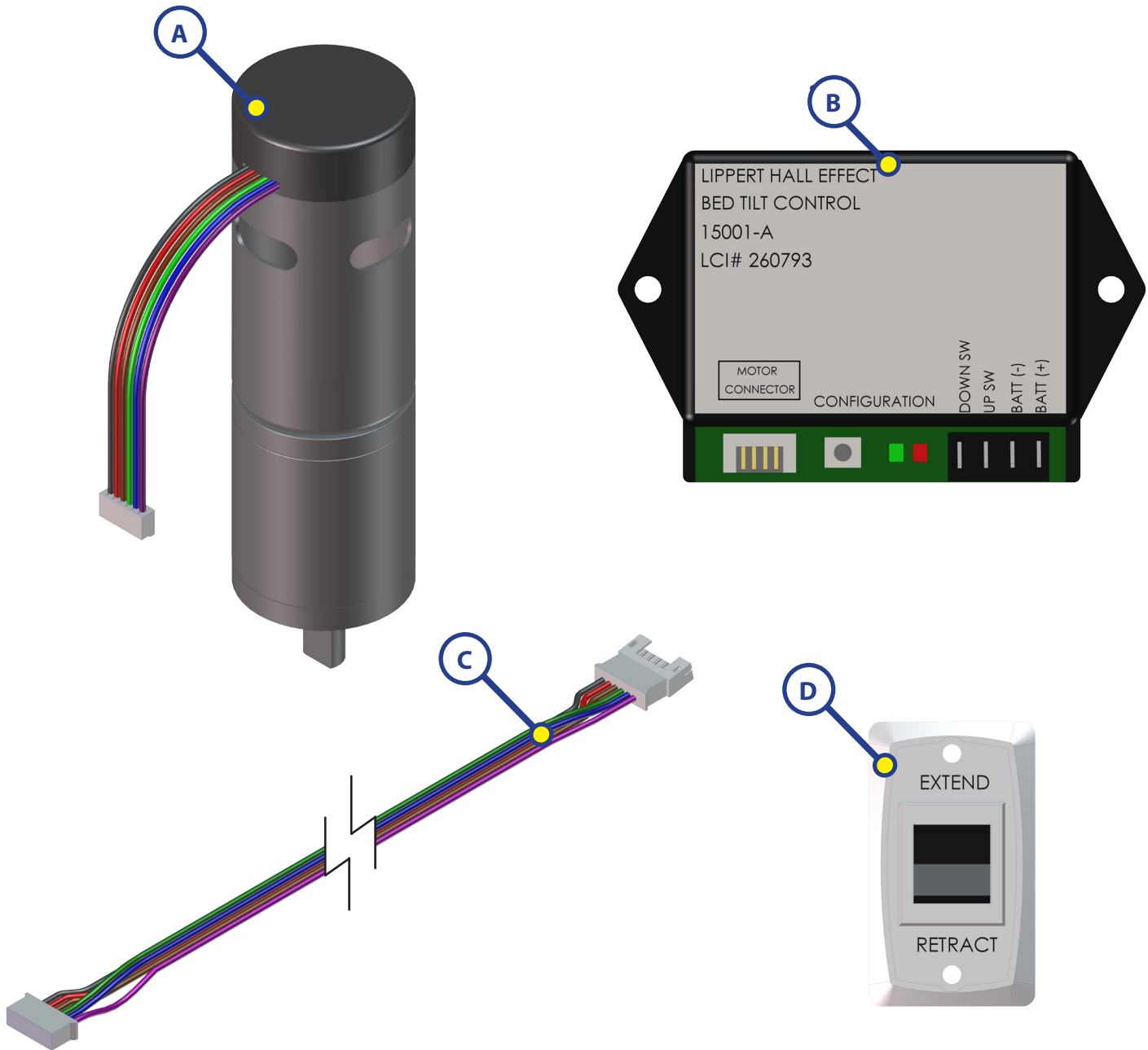
Callout	Part #	Description
A	287196	Head Assembly w/ Motor, racks, support frame
	292422	Head Assembly w/o Support Frame
	295235	Head Assembly w/o Support Frame and Brackets
	298119	Head Assembly w/o Support Frame 25.5
	333405	Head Assembly w/o Support Frame Queen
B	287021	Head Assembly Support Frame
C	287039	Gear Rack 25 ½"
D	287083	Left Bearing Block
	287084	Right Bearing Block



LIPPERT  
COMPONENTS

# SCHWINTEK BED TILT ELECTRICAL COMPONENTS

## POWER AND MOTION



Callout	Part #	Description
A	325979	Motor
B	260793	Controller
C	257916	Controller Harness 10'
	257917	Controller Harness 20'
D	199082	Switch